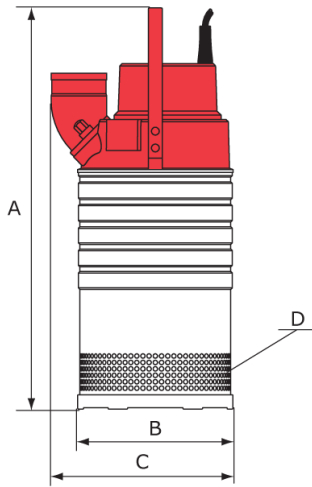




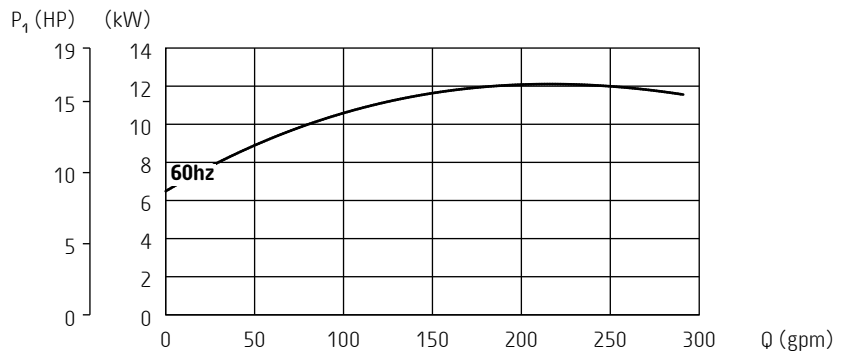
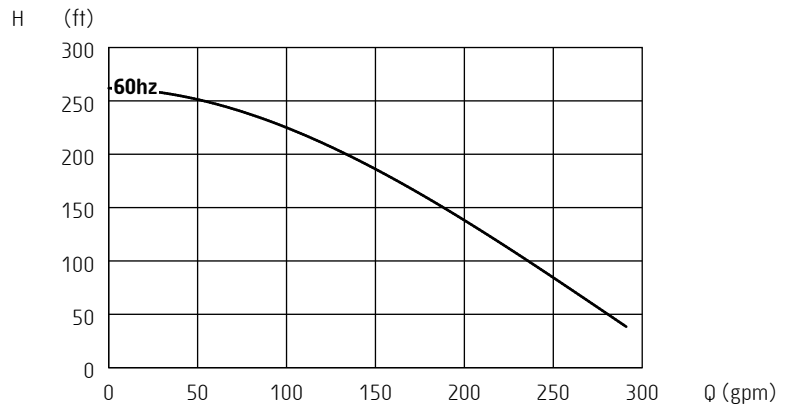
Master SH

Electrical submersible drainage pump



60 Hz	SH
Discharge connection	3"
Rated power P ₂ [kW/HP]	10.5 / 14
Max. power consumption P ₁ [kW]	12
Shaft speed [r.p.m.]	3440
Rated current at 460V	16 A
Rated current at 575V	13 A
Dimensions A / B / C	720 / 286 / 330 mm
Dimensions A / B / C	28½ / 11¼ / 13"
Weight [kg/lbs]	60 / 133

Other voltages on request



ISO 9906/A

Classification

Electrical submersible drainage pump
Protection class: IP 68

Electrical motor

Squirrel cage induction motor, insulation class: H (IEC 85)

Motor protection

Phase sequence control, phase failure guard, temperature guard with thermal contacts in the stator opening temperature 140°C (284°F) (= SMART system), air valve

Cable - SubCab

230V: 4G6mm², 20 m (66 ft) / 10AWG/4, 53 ft
380-575V: 4G2.5mm², 20 m (66 ft) / 12AWG/4, 53 ft

Limitations

Max. submersion depth: 20 m (66 ft)
Max. liquid temperature: 40 °C (104 °F)
Allowed pH range: 5 - 8
Maximum liquid density: 1100 kg/m³ (68 lbs/ft³)

Shaft seals

Double mechanical seal running in an oil compartment
Material lower seal: *silicon carbide - silicon carbide*
Material upper seal: *silicon carbide - silicon carbide*

Bearings

Ball bearings with C3 clearance

Discharge connection

3" hose, ISO-G or NPT

Materials

Casted parts: *Aluminium*
Outer casing: *Stainless steel*
Motor shaft: *Stainless steel*
Impeller: *Hard-Iron™*
Suction cover: *Hard-Iron™*
Diffusers: *Nitrile rubber*
Screws and nuts: *Stainless steel*
O-rings: *Nitrile rubber*

Accessories

Tandem connection
Zinc anodes