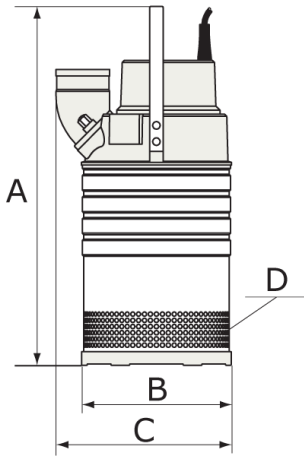




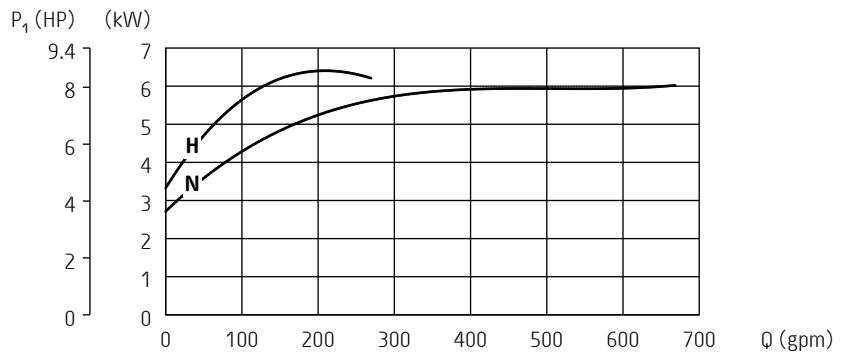
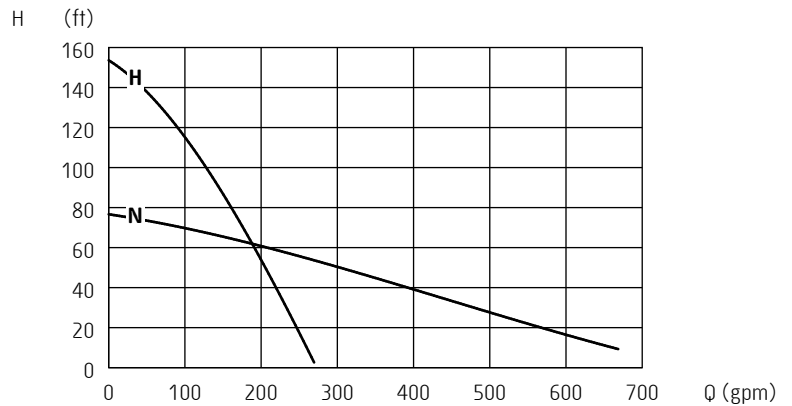
# Major Inox

Electrical submersible drainage pump



60 Hz	N	H
Discharge connection	4"	3"
Rated power P <sub>2</sub> [kW/HP]	6.7 / 9	6.7 / 9
Max. power consumption P <sub>1</sub> [kW]	7.6	7.6
Shaft speed [r.p.m.]	3455	3455
Rated current at 230V	21 A	21 A
Rated current at 460V	11 A	11 A
Rated current at 575V	8.6 A	8.6 A
Solids passage D	8.5 mm (0.35")	8.5 mm (0.35")
Dimensions A / B / C	665 / 280 / 330 mm	665 / 280 / 330 mm
Dimensions A / B / C	26 1/4 / 11 / 13"	26 1/4 / 11 / 13"
Weight	65 kg (144 lbs)	65 kg (144 lbs)

Other voltages on request



ISO 9906/A

## General description

Submersible drainage pump made of stainless steel for mines, processing industries and salt-water applications

## Classification

Electrical submersible pump  
Protection class: IP 68

## Electrical motor

Squirrel cage induction motor  
Insulation class: F (IEC 85)

## Motor protection

Phase sequence control, phase failure guard, temperature guard with thermal contacts in the stator (= SMART system). Air valve

## Cable - SubCab 20 m (66 ft)

50 Hz 230 - 500V: 4G2.5mm<sup>2</sup>  
60 Hz 230 - 575V: AWG12/4

## Limitations

Max. submersion depth: 20 m (66 ft)  
Max. liquid temperature: 40 °C (104 °F)  
Allowed pH range: 2 - 10  
Maximum liquid density: 1100 kg/m<sup>3</sup> (68 lbs/ft<sup>3</sup>)

## Shaft seals

Double mechanical shaft seals running in an oil compartment  
Material lower seal: *silicon carbide - silicon carbide*  
Material upper seal: *carbon - silicon carbide*

## Bearings

Ball bearings with C3 clearance

## Discharge connection

3-4" hose, Iso-G BSP or NPT

## Materials

Casted parts: *Stainless steel (EN 10283-1.4412-ASTM CF-8M)*  
Outer casing: *Stainless steel (EN 10088-3-1.4436-AISI 316L)*  
Motor shaft: *Stainless steel (EN 10088-3-1.4460-AISI 329)*  
Impeller: *Stainless steel (EN 10283-1.4412-ASTM CF-8M)*  
Diffusers: *Nitrile rubber*  
Screws and nuts: *Stainless steel (A4)*  
O-rings: *Viton rubber*

## Accessories

Zinc anodes